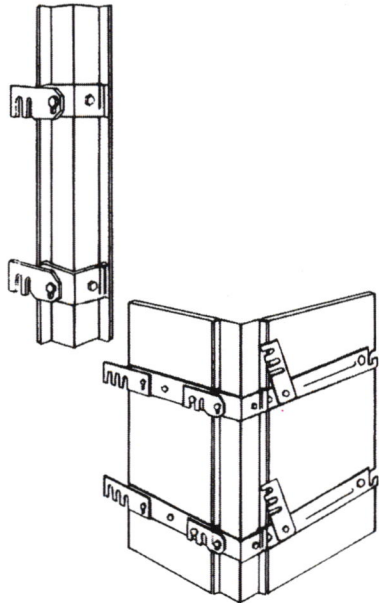


ADVANCE

CONCRETE FORM, INC.

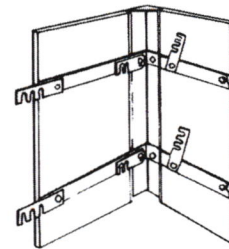
CORNERS

Inside and outside corners permit either abutting panels or fillers to be secured without loose locking clips. Available in all heights and bar spacings.

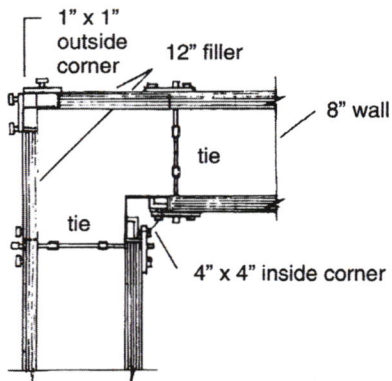


OUTSIDE CORNER

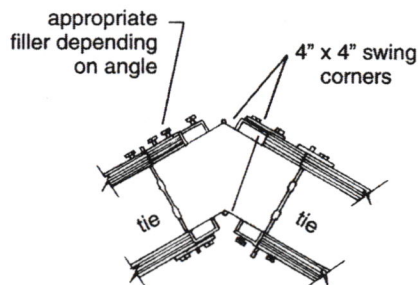
INSIDE CORNER



TYPICAL APPLICATIONS

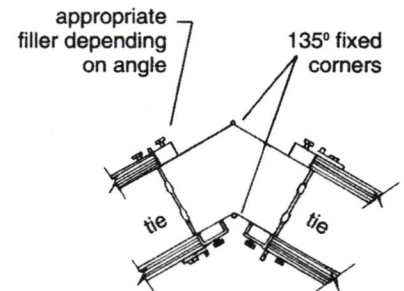


STANDARD CORNER



Hinged swing corner easily forms corners at angles other than 90 degrees.

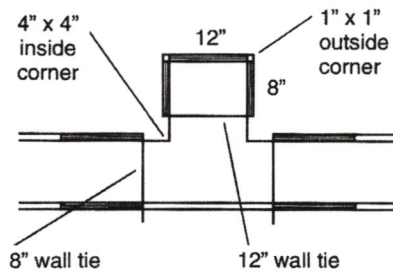
SWING CORNER



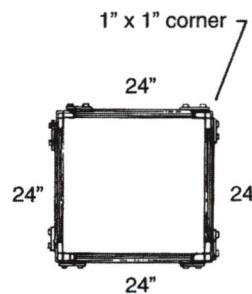
Used for bay or bump out applications.

FIXED 135° CORNER

Typical 12" X 12" pilaster using standard Advance panels on 8" wall.



PILASTER



2' X 2' column using 1" X 1" corners.

COLUMN

ADVANCE CONCRETE FORM, INC.

5102 Pflaum Road, Madison, WI 53718 • 800/356-2202 • WI 608/222-8684 • Fax 608-222-3693
www.advanceconcreteform.com